

## DMX512 R&D



### KOMPAKT VE FONKSİYONEL

Akıllı DMX Karartma  
 Çok Kanallı Topoloji  
 Tek Kumanda  
 Manuel Adresleme  
 Dayanıklı  
 İnce Formlu  
 Düşük Güç Tüketimi  
 Yüksek Verimli  
 Kolay Kurulum

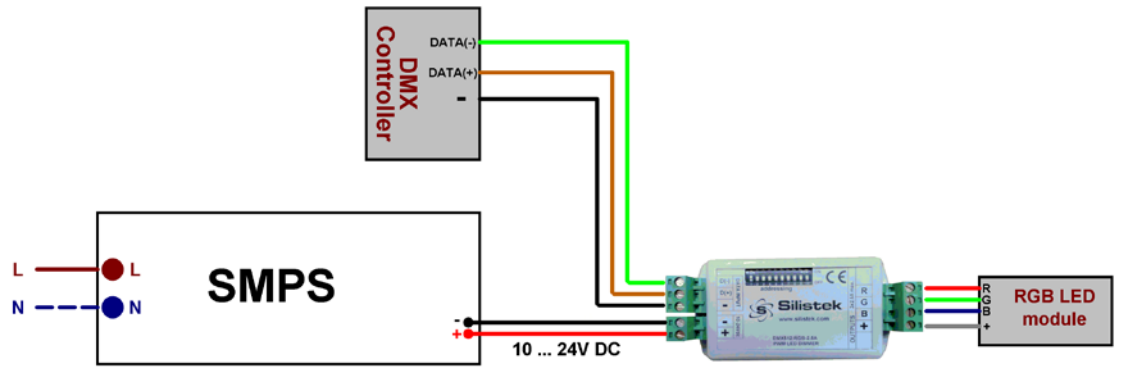
### COMPACT & FUNCTIONAL

Intelligent DMX Dimmer  
 Multi-Channel Topology  
 Single Control  
 Manual Addressing  
 Durable  
 Slim Shape  
 Low Power Consumption  
 High Efficient  
 Easy Installation

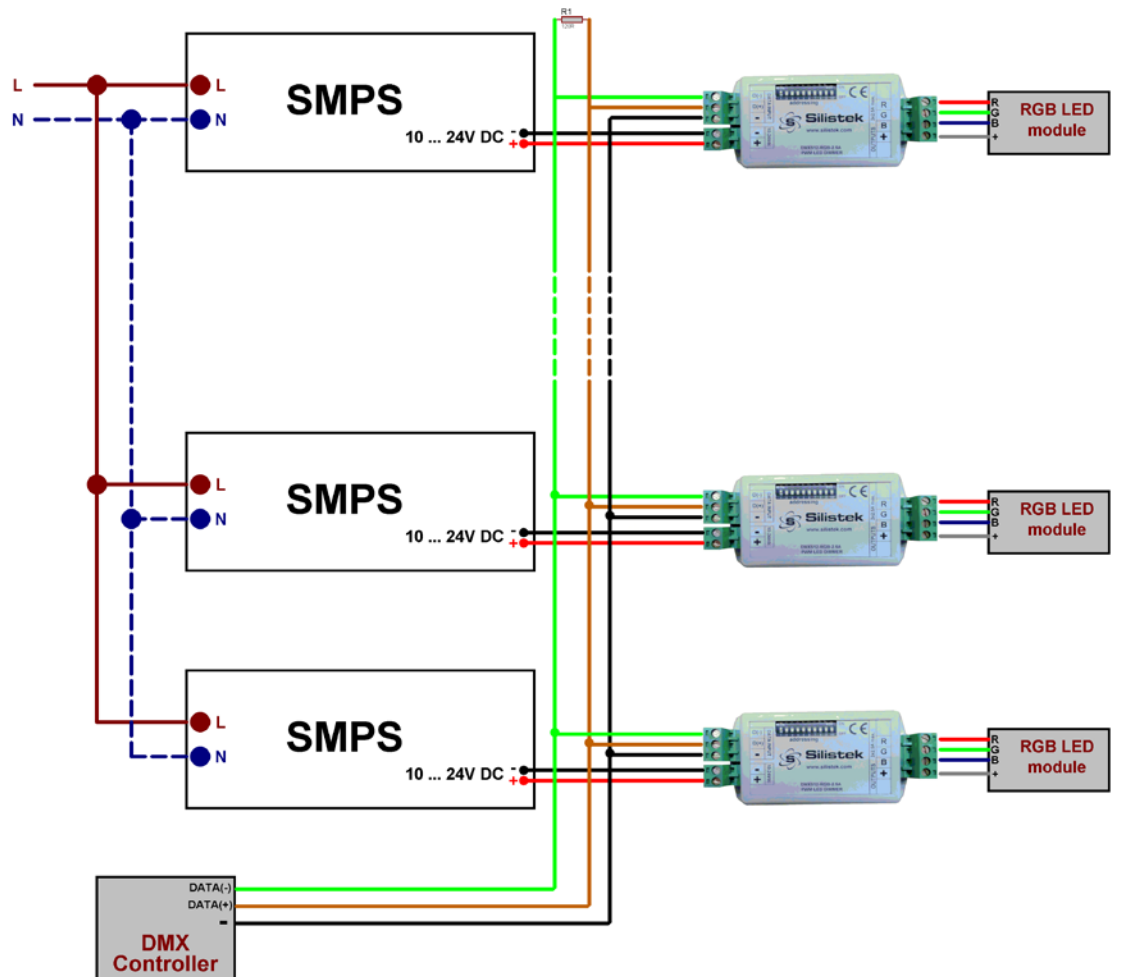
## TEKNİK VERİLER / TECHNICAL DATA

<b>Nominal voltaj</b> Nominal voltage	10 ... 24 DC V
<b>Maksimum akım</b> Maximum current	3 A
<b>Nominal çıkış gücü</b> Nominal output power	3x60 Watt
<b>Boyutlar (BxExY)</b> Dimensions (LxWxH)	100.0 mm x 45.0 mm x 21.0 mm
<b>Ağırlık</b> Weight	55.00 g
<b>Kablo kesiti</b> Cable cross-section	0.5 ... 2.5 mm <sup>2</sup>
<b>Kasa malzemesi</b> Casing material	Plastik Plastic
<b>Ortam sıcaklık aralığı</b> Ambient temperature range	-20 - 50 °C
<b>Protokol özelliği</b> Protocol specifications	DMX512
<b>Karartma aralığı</b> Dimming range	0 ... 100 %
<b>Karartma yöntemi</b> Dimming method	PWM
<b>PWM çalışma frekansı</b> PWM working frequency	≥500 Hz
<b>Bağlantı şekli (her iki tarafta)</b> Type of connection (both sides)	Çıkarılabilir vidalı terminal Removable screw terminal
<b>Standartlar</b> Standards	EN 55015 / EN 61547 / EN 61347 Plastic
<b>Koruma sınıfı</b> Type of protection	IP40
<b>LED modül ve ünite arasındaki maksimum kablo uzunluğu</b> Maximum cable length between unit and module	10 m

## MONTAJ ŞEMASI / INSTALLATION DIAGRAM



## SİSTEM MONTAJI / SYSTEM INSTALLATION



## DMX512 TABLOSU / DMX512 CHART

### Ch - Switches

1 = 1  
2 = 2  
3 = 1, 2  
4 = 3  
5 = 1, 3  
6 = 2, 3  
7 = 1, 2, 3  
8 = 4  
9 = 1, 4  
10 = 2, 4  
11 = 1, 2, 4  
12 = 3, 4  
13 = 1, 3, 4  
14 = 2, 3, 4  
15 = 1, 2, 3, 4  
16 = 5  
17 = 1, 5  
18 = 2, 5  
19 = 1, 2, 5  
20 = 3, 5  
21 = 1, 3, 5  
22 = 2, 3, 5  
23 = 1, 2, 3, 5  
24 = 4, 5  
25 = 1, 4, 5  
26 = 2, 4, 5  
27 = 1, 2, 4, 5  
28 = 3, 4, 5  
29 = 1, 3, 4, 5  
30 = 2, 3, 4, 5  
31 = 1, 2, 3, 4, 5  
32 = 6  
33 = 1, 6  
34 = 2, 6  
35 = 1, 2, 6  
36 = 3, 6  
37 = 1, 3, 6  
38 = 2, 3, 6  
39 = 1, 2, 3, 6  
40 = 4, 6  
41 = 1, 4, 6  
42 = 2, 4, 6  
43 = 1, 2, 4, 6  
44 = 3, 4, 6  
45 = 1, 3, 4, 6  
46 = 2, 3, 4, 6  
47 = 1, 2, 3, 4, 6  
48 = 5, 6  
49 = 1, 5, 6  
50 = 2, 5, 6  
51 = 1, 2, 5, 6  
52 = 3, 5, 6

### Ch - Switches

53 = 1, 3, 5, 6  
54 = 2, 3, 5, 6  
55 = 1, 2, 3, 5, 6  
56 = 4, 5, 6  
57 = 1, 4, 5, 6  
58 = 2, 4, 5, 6  
59 = 1, 2, 4, 5, 6  
60 = 3, 4, 5, 6  
61 = 1, 3, 4, 5, 6  
62 = 2, 3, 4, 5, 6  
63 = 1, 2, 3, 4, 5, 6  
64 = 7  
65 = 1, 7  
66 = 2, 7  
67 = 1, 2, 7  
68 = 3, 7  
69 = 1, 3, 7  
70 = 2, 3, 7  
71 = 1, 2, 3, 7  
72 = 4, 7  
73 = 1, 4, 7  
74 = 2, 4, 7  
75 = 1, 2, 4, 7  
76 = 3, 4, 7  
77 = 1, 3, 4, 7  
78 = 2, 3, 4, 7  
79 = 1, 3, 4, 7  
80 = 5, 7  
81 = 1, 5, 7  
82 = 2, 5, 7  
83 = 1, 2, 5, 7  
84 = 3, 5, 7  
85 = 1, 3, 5, 7  
86 = 2, 3, 5, 7  
87 = 1, 2, 3, 5, 7  
88 = 4, 5, 7  
89 = 1, 4, 5, 7  
90 = 2, 4, 5, 7  
91 = 1, 2, 4, 5, 7  
92 = 3, 4, 5, 7  
93 = 1, 3, 4, 5, 7  
94 = 2, 3, 4, 5, 7  
95 = 1, 2, 3, 4, 5, 7  
96 = 6, 7  
97 = 1, 6, 7  
98 = 2, 6, 7  
99 = 1, 2, 6, 7  
100 = 3, 6, 7  
101 = 1, 3, 6, 7  
102 = 2, 3, 6, 7  
103 = 1, 2, 3, 6, 7  
104 = 4, 6, 7

### Ch - Switches

105 = 1, 4, 6, 7  
106 = 2, 4, 6, 7  
107 = 1, 2, 4, 6, 7  
108 = 3, 4, 6, 7  
109 = 1, 3, 4, 6, 7  
110 = 2, 3, 4, 6, 7  
111 = 1, 2, 3, 4, 6, 7  
112 = 5, 6, 7  
113 = 1, 5, 6, 7  
114 = 2, 5, 6, 7  
115 = 1, 2, 5, 6, 7  
116 = 3, 5, 6, 7  
117 = 1, 3, 5, 6, 7  
118 = 2, 3, 5, 6, 7  
119 = 1, 2, 3, 5, 6, 7  
120 = 4, 5, 6, 7  
121 = 1, 4, 5, 6, 7  
122 = 2, 4, 5, 6, 7  
123 = 1, 2, 4, 5, 6, 7  
124 = 3, 4, 5, 6, 7  
125 = 1, 3, 4, 5, 6, 7  
126 = 2, 3, 4, 5, 6, 7  
127 = 1, 2, 3, 4, 5, 6, 7  
128 = 8  
129 = 1, 8  
130 = 2, 8  
131 = 1, 2, 8  
132 = 3, 8  
133 = 1, 3, 8  
134 = 2, 3, 8  
135 = 1, 2, 3, 8  
136 = 4, 8  
137 = 1, 4, 8  
138 = 2, 4, 8  
139 = 1, 2, 4, 8  
140 = 3, 4, 8  
141 = 1, 3, 4, 8  
142 = 2, 3, 4, 8  
143 = 1, 2, 3, 4, 8  
144 = 5, 8  
145 = 1, 5, 8  
146 = 2, 5, 8  
147 = 1, 2, 5, 8  
148 = 3, 5, 8  
149 = 1, 3, 5, 8  
150 = 2, 3, 5, 8  
151 = 1, 2, 3, 5, 8  
152 = 4, 5, 8  
153 = 1, 4, 5, 8  
154 = 2, 4, 5, 8  
155 = 1, 2, 4, 5, 8  
156 = 3, 4, 5, 8

### Ch - Switches

157 = 1, 3, 4, 5, 8  
158 = 2, 3, 4, 5, 8  
159 = 1, 2, 3, 4, 5, 8  
160 = 6, 8  
161 = 1, 6, 8  
162 = 2, 6, 8  
163 = 1, 2, 6, 8  
164 = 3, 6, 8  
165 = 1, 3, 6, 8  
166 = 2, 3, 6, 8  
167 = 1, 2, 3, 6, 8  
168 = 4, 6, 8  
169 = 1, 4, 6, 8  
170 = 2, 4, 6, 8  
171 = 1, 2, 4, 6, 8  
172 = 3, 4, 6, 8  
173 = 1, 3, 4, 6, 8  
174 = 2, 3, 4, 6, 8  
175 = 1, 2, 3, 4, 6, 8  
176 = 5, 6, 8  
177 = 1, 5, 6, 8  
178 = 2, 5, 6, 8  
179 = 1, 2, 5, 6, 8  
180 = 3, 5, 6, 8  
181 = 1, 3, 5, 6, 8  
182 = 2, 3, 5, 6, 8  
183 = 1, 2, 3, 5, 6, 8  
184 = 4, 5, 6, 8  
185 = 1, 4, 5, 6, 8  
186 = 2, 4, 5, 6, 8  
187 = 1, 2, 4, 5, 6, 8  
188 = 3, 4, 5, 6, 8  
189 = 1, 3, 4, 5, 6, 8  
190 = 2, 3, 4, 5, 6, 8  
191 = 1, 2, 3, 4, 5, 6, 8  
192 = 7, 8  
193 = 1, 7, 8  
194 = 2, 7, 8  
195 = 1, 2, 7, 8  
196 = 3, 7, 8  
197 = 1, 3, 7, 8  
198 = 2, 3, 7, 8  
199 = 1, 2, 3, 7, 8  
200 = 4, 7, 8  
201 = 1, 4, 7, 8  
202 = 2, 4, 7, 8  
203 = 1, 2, 4, 7, 8  
204 = 3, 4, 7, 8  
205 = 1, 3, 4, 7, 8  
206 = 2, 3, 4, 7, 8  
207 = 1, 2, 3, 4, 7, 8  
208 = 5, 7, 8

### Ch - Switches

209 = 1, 5, 7, 8  
210 = 2, 5, 7, 8  
211 = 1, 2, 5, 7, 8  
212 = 3, 5, 7, 8  
213 = 1, 3, 5, 7, 8  
214 = 2, 3, 5, 7, 8  
215 = 1, 2, 3, 5, 7, 8  
216 = 4, 5, 7, 8  
217 = 1, 4, 5, 7, 8  
218 = 2, 4, 5, 7, 8  
219 = 1, 2, 4, 5, 7, 8  
220 = 3, 4, 5, 7, 8  
221 = 1, 3, 4, 5, 7, 8  
222 = 2, 3, 4, 5, 7, 8  
223 = 1, 2, 3, 4, 5, 7, 8  
224 = 6, 7, 8  
225 = 1, 6, 7, 8  
226 = 2, 6, 7, 8  
227 = 1, 2, 6, 7, 8  
228 = 3, 6, 7, 8  
229 = 1, 3, 6, 7, 8  
230 = 2, 3, 6, 7, 8  
231 = 1, 2, 3, 6, 7, 8  
232 = 4, 6, 7, 8  
233 = 1, 4, 6, 7, 8  
234 = 2, 4, 6, 7, 8  
235 = 1, 2, 4, 6, 7, 8  
236 = 3, 4, 6, 7, 8  
237 = 1, 3, 4, 6, 7, 8  
238 = 2, 3, 4, 6, 7, 8  
239 = 1, 2, 3, 4, 6, 7, 8  
240 = 5, 6, 7, 8  
241 = 1, 5, 6, 7, 8  
242 = 2, 5, 6, 7, 8  
243 = 1, 2, 5, 6, 7, 8  
244 = 3, 5, 6, 7, 8  
245 = 1, 3, 5, 6, 7, 8  
246 = 2, 3, 5, 6, 7, 8  
247 = 1, 2, 3, 5, 6, 7, 8  
248 = 4, 5, 6, 7, 8  
249 = 1, 4, 5, 6, 7, 8  
250 = 2, 4, 5, 6, 7, 8  
251 = 1, 2, 4, 5, 6, 7, 8  
252 = 3, 4, 5, 6, 7, 8  
253 = 1, 3, 4, 5, 6, 7, 8  
254 = 2, 3, 4, 5, 6, 7, 8  
255 = 1, 2, 3, 4, 5, 6, 7, 8  
256 = 9  
257 = 1, 9  
258 = 2, 9  
259 = 1, 2, 9  
260 = 3, 9

## DMX512 TABLOSU / DMX512 CHART

Ch - Switches	Ch - Switches	Ch - Switches	Ch - Switches	Ch - Switches
261 = 1, 3, 9	322 = 2, 7, 9	383 = 1, 2, 3, 4, 5, 6, 7, 9	444 = 3, 4, 5, 6, 8, 9	505 = 1, 4, 5, 6, 7, 8, 9
262 = 2, 3, 9	323 = 1, 2, 7, 9	384 = 8, 9	445 = 1, 3, 4, 5, 6, 8, 9	506 = 2, 4, 5, 6, 7, 8, 9
263 = 1, 2, 3, 9	324 = 3, 7, 9	385 = 1, 8, 9	446 = 2, 3, 4, 5, 6, 8, 9	507 = 1, 2, 4, 5, 6, 7, 8, 9
264 = 4, 9	325 = 1, 3, 7, 9	386 = 2, 8, 9	447 = 1, 2, 3, 4, 5, 6, 8, 9	508 = 3, 4, 5, 6, 7, 8, 9
265 = 1, 4, 9	326 = 2, 3, 7, 9	387 = 1, 2, 8, 9	448 = 7, 8, 9	509 = 1, 3, 4, 5, 6, 7, 8, 9
266 = 2, 4, 9	327 = 1, 2, 3, 7, 9	388 = 3, 8, 9	449 = 1, 7, 8, 9	510 = 2, 3, 4, 5, 6, 7, 8, 9
267 = 1, 2, 4, 9	328 = 4, 7, 9	389 = 1, 3, 8, 9	450 = 2, 7, 8, 9	511 = 1, 2, 3, 4, 5, 6, 7, 8, 9
268 = 3, 4, 9	329 = 1, 4, 7, 9	390 = 2, 3, 8, 9	451 = 1, 2, 7, 8, 9	512 = 0
269 = 1, 3, 4, 9	330 = 2, 4, 7, 9	391 = 1, 2, 3, 8, 9	452 = 3, 7, 8, 9	
270 = 2, 3, 4, 9	331 = 1, 2, 4, 7, 9	392 = 4, 8, 9	453 = 1, 3, 7, 8, 9	
271 = 1, 2, 3, 4, 9	332 = 3, 4, 7, 9	393 = 1, 4, 8, 9	454 = 2, 3, 7, 8, 9	
272 = 5, 9	333 = 1, 3, 4, 7, 9	394 = 2, 4, 8, 9	455 = 1, 2, 3, 7, 8, 9	
273 = 1, 5, 9	334 = 2, 3, 4, 7, 9	395 = 1, 2, 4, 8, 9	456 = 4, 7, 8, 9	
274 = 2, 5, 9	335 = 1, 2, 3, 4, 7, 9	396 = 3, 4, 8, 9	457 = 1, 4, 7, 8, 9	
275 = 1, 2, 5, 9	336 = 5, 7, 9	397 = 1, 3, 4, 8, 9	458 = 2, 4, 7, 8, 9	
276 = 3, 5, 9	337 = 1, 5, 7, 9	398 = 2, 3, 4, 8, 9	459 = 1, 2, 4, 7, 8, 9	
277 = 1, 3, 5, 9	338 = 2, 5, 7, 9	399 = 1, 2, 3, 4, 8, 9	460 = 3, 4, 7, 8, 9	
278 = 2, 3, 5, 9	339 = 1, 2, 5, 7, 9	400 = 5, 8, 9	461 = 1, 3, 4, 7, 8, 9	
279 = 1, 2, 3, 5, 9	340 = 3, 5, 7, 9	401 = 1, 5, 8, 9	462 = 2, 3, 4, 7, 8, 9	
280 = 4, 5, 9	341 = 1, 3, 5, 7, 9	402 = 2, 5, 8, 9	463 = 1, 2, 3, 4, 7, 8, 9	
281 = 1, 4, 5, 9	342 = 2, 3, 5, 7, 9	403 = 1, 2, 5, 8, 9	464 = 5, 7, 8, 9	
282 = 2, 4, 5, 9	343 = 1, 2, 3, 5, 7, 9	404 = 3, 5, 8, 9	465 = 1, 5, 7, 8, 9	
283 = 1, 2, 4, 5, 9	344 = 4, 5, 7, 9	405 = 1, 3, 5, 8, 9	466 = 2, 5, 7, 8, 9	
284 = 3, 4, 5, 9	345 = 1, 4, 5, 7, 9	406 = 2, 3, 5, 8, 9	467 = 1, 2, 5, 7, 8, 9	
285 = 1, 3, 4, 5, 9	346 = 2, 4, 5, 7, 9	407 = 1, 2, 3, 5, 8, 9	468 = 3, 5, 7, 8, 9	
286 = 2, 3, 4, 5, 9	347 = 1, 2, 4, 5, 7, 9	408 = 4, 5, 8, 9	469 = 1, 3, 5, 7, 8, 9	
287 = 1, 2, 3, 4, 5, 9	348 = 3, 4, 5, 7, 9	409 = 1, 4, 5, 8, 9	470 = 2, 3, 5, 7, 8, 9	
288 = 6, 9	349 = 1, 3, 4, 5, 7, 9	410 = 2, 4, 5, 8, 9	471 = 1, 2, 3, 5, 7, 8, 9	
289 = 1, 6, 9	350 = 2, 3, 4, 5, 7, 9	411 = 1, 2, 4, 5, 8, 9	472 = 4, 5, 7, 8, 9	
290 = 2, 6, 9	351 = 1, 2, 3, 4, 5, 7, 9	412 = 3, 4, 5, 8, 9	473 = 1, 4, 5, 7, 8, 9	
291 = 1, 2, 6, 9	352 = 6, 7, 9	413 = 1, 3, 4, 5, 8, 9	474 = 2, 4, 5, 7, 8, 9	
292 = 3, 6, 9	353 = 1, 6, 7, 9	414 = 2, 3, 4, 5, 8, 9	475 = 1, 2, 4, 5, 7, 8, 9	
293 = 1, 3, 6, 9	354 = 2, 6, 7, 9	415 = 1, 2, 3, 4, 5, 8, 9	476 = 3, 4, 5, 7, 8, 9	
294 = 2, 3, 6, 9	355 = 1, 2, 6, 7, 9	416 = 6, 8, 9	477 = 1, 3, 4, 5, 7, 8, 9	
295 = 1, 2, 3, 6, 9	356 = 3, 6, 7, 9	417 = 1, 6, 8, 9	478 = 2, 3, 4, 5, 7, 8, 9	
296 = 4, 6, 9	357 = 1, 3, 6, 7, 9	418 = 2, 6, 8, 9	479 = 1, 2, 3, 4, 5, 7, 8, 9	
297 = 1, 4, 6, 9	358 = 2, 3, 6, 7, 9	419 = 1, 2, 6, 8, 9	480 = 6, 7, 8, 9	
298 = 2, 4, 6, 9	359 = 1, 2, 3, 6, 7, 9	420 = 3, 6, 8, 9	481 = 1, 6, 7, 8, 9	
299 = 1, 2, 4, 6, 9	360 = 4, 6, 7, 9	421 = 1, 3, 6, 8, 9	482 = 2, 6, 7, 8, 9	
300 = 3, 4, 6, 9	361 = 1, 4, 6, 7, 9	422 = 2, 3, 6, 8, 9	483 = 1, 2, 6, 7, 8, 9	
301 = 1, 3, 4, 6, 9	362 = 2, 4, 6, 7, 9	423 = 1, 2, 3, 6, 8, 9	484 = 3, 6, 7, 8, 9	
302 = 2, 3, 4, 6, 9	363 = 1, 2, 4, 6, 7, 9	424 = 4, 6, 8, 9	485 = 1, 3, 6, 7, 8, 9	
303 = 1, 2, 3, 4, 6, 9	364 = 3, 4, 6, 7, 9	425 = 1, 4, 6, 8, 9	486 = 2, 3, 6, 7, 8, 9	
304 = 5, 6, 9	365 = 1, 3, 4, 6, 7, 9	426 = 2, 4, 6, 8, 9	487 = 1, 2, 3, 6, 7, 8, 9	
305 = 1, 5, 6, 9	366 = 2, 3, 4, 6, 7, 9	427 = 1, 2, 4, 6, 8, 9	488 = 4, 6, 7, 8, 9	
306 = 2, 5, 6, 9	367 = 1, 2, 3, 4, 6, 7, 9	428 = 3, 4, 6, 8, 9	489 = 1, 4, 6, 7, 8, 9	
307 = 1, 2, 5, 6, 9	368 = 5, 6, 7, 9	429 = 1, 3, 4, 6, 8, 9	490 = 2, 4, 6, 7, 8, 9	
308 = 3, 5, 6, 9	369 = 1, 5, 6, 7, 9	430 = 2, 3, 4, 6, 8, 9	491 = 1, 2, 4, 6, 7, 8, 9	
309 = 1, 3, 5, 6, 9	370 = 2, 5, 6, 7, 9	431 = 1, 2, 3, 4, 6, 8, 9	492 = 3, 4, 6, 7, 8, 9	
310 = 2, 3, 5, 6, 9	371 = 1, 2, 5, 6, 7, 9	432 = 5, 6, 8, 9	493 = 1, 3, 4, 6, 7, 8, 9	
311 = 1, 2, 3, 5, 6, 9	372 = 3, 5, 6, 7, 9	433 = 1, 5, 6, 8, 9	494 = 2, 3, 4, 6, 7, 8, 9	
312 = 4, 5, 6, 9	373 = 1, 3, 5, 6, 7, 9	434 = 2, 5, 6, 8, 9	495 = 1, 2, 3, 4, 6, 7, 8, 9	
313 = 1, 4, 5, 6, 9	374 = 2, 3, 5, 6, 7, 9	435 = 1, 2, 5, 6, 8, 9	496 = 5, 6, 7, 8, 9	
314 = 2, 4, 5, 6, 9	375 = 1, 2, 3, 5, 6, 7, 9	436 = 3, 5, 6, 8, 9	497 = 1, 5, 6, 7, 8, 9	
315 = 1, 2, 4, 5, 6, 9	376 = 4, 5, 6, 7, 9	437 = 1, 3, 5, 6, 8, 9	498 = 2, 5, 6, 7, 8, 9	
316 = 3, 4, 5, 6, 9	377 = 1, 4, 5, 6, 7, 9	438 = 2, 3, 5, 6, 8, 9	499 = 1, 2, 5, 6, 7, 8, 9	
317 = 1, 3, 4, 5, 6, 9	378 = 2, 4, 5, 6, 7, 9	439 = 1, 2, 3, 5, 6, 8, 9	500 = 3, 5, 6, 7, 8, 9	
318 = 2, 3, 4, 5, 6, 9	379 = 1, 2, 4, 5, 6, 7, 9	440 = 4, 5, 6, 8, 9	501 = 1, 3, 5, 6, 7, 8, 9	
319 = 1, 2, 3, 4, 5, 6, 9	380 = 3, 4, 5, 6, 7, 9	441 = 1, 4, 5, 6, 8, 9	502 = 2, 3, 5, 6, 7, 8, 9	
320 = 7, 9	381 = 1, 3, 4, 5, 6, 7, 9	442 = 2, 4, 5, 6, 8, 9	503 = 1, 2, 3, 5, 6, 7, 8, 9	
321 = 1, 7, 9	382 = 2, 3, 4, 5, 6, 7, 9	443 = 1, 2, 4, 5, 6, 8, 9	504 = 4, 5, 6, 7, 8, 9	

